

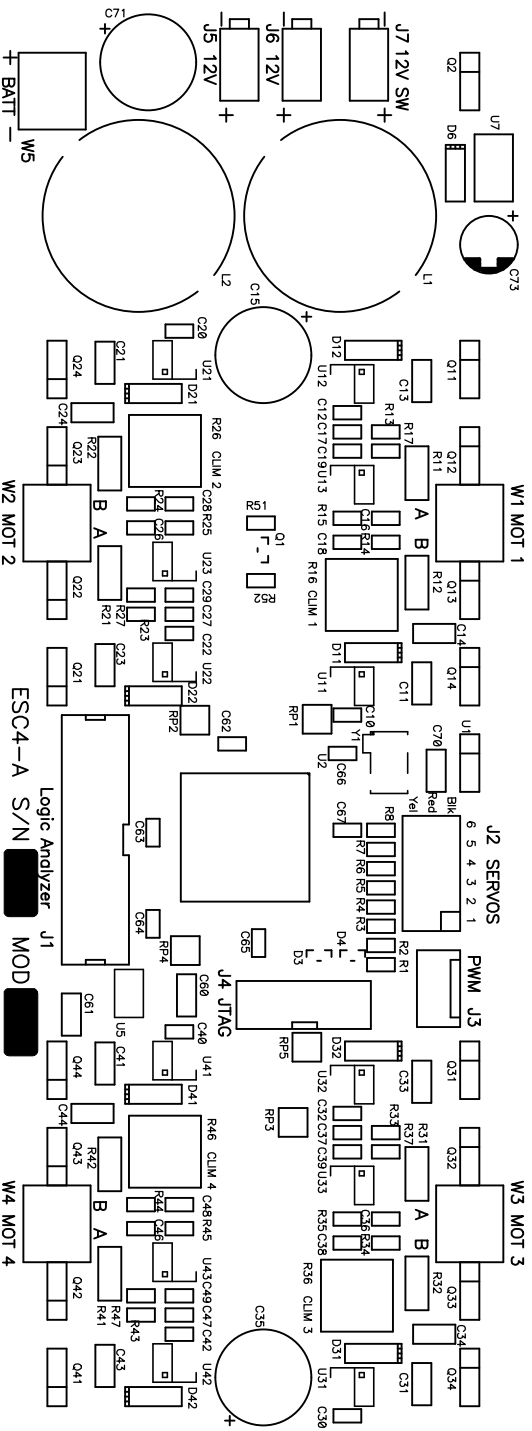
Drill Table			
Hole Dia (Inch)	Symbol	Quantity	Plated
0.022	+	112	Yes
0.034	X	14	Yes
0.038	Y	98	Yes
0.046	T	51	Yes
0.068	X	20	Yes
0.120	M	7	Yes

Material: FR-4 .062" 94V-0  
 Mask: LPI, Green, Both sides  
 Silkscreen: White Ink

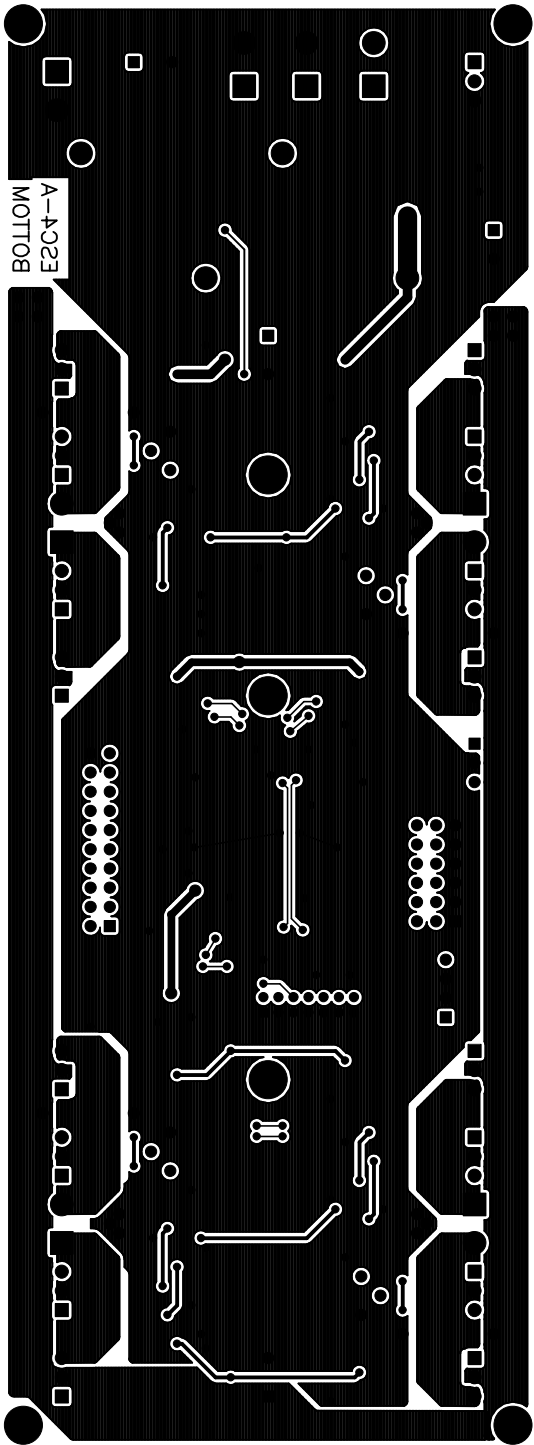
DRILL GUIDE

Title		Quad Motor Speed Controller	
Size	Number	ESC4	Rev A
Date	Sun May 03, 2009	Drawn by David Forbes	
Filename	ESC4A3.PCB	Sheet	of

TOP SILK SCREEN

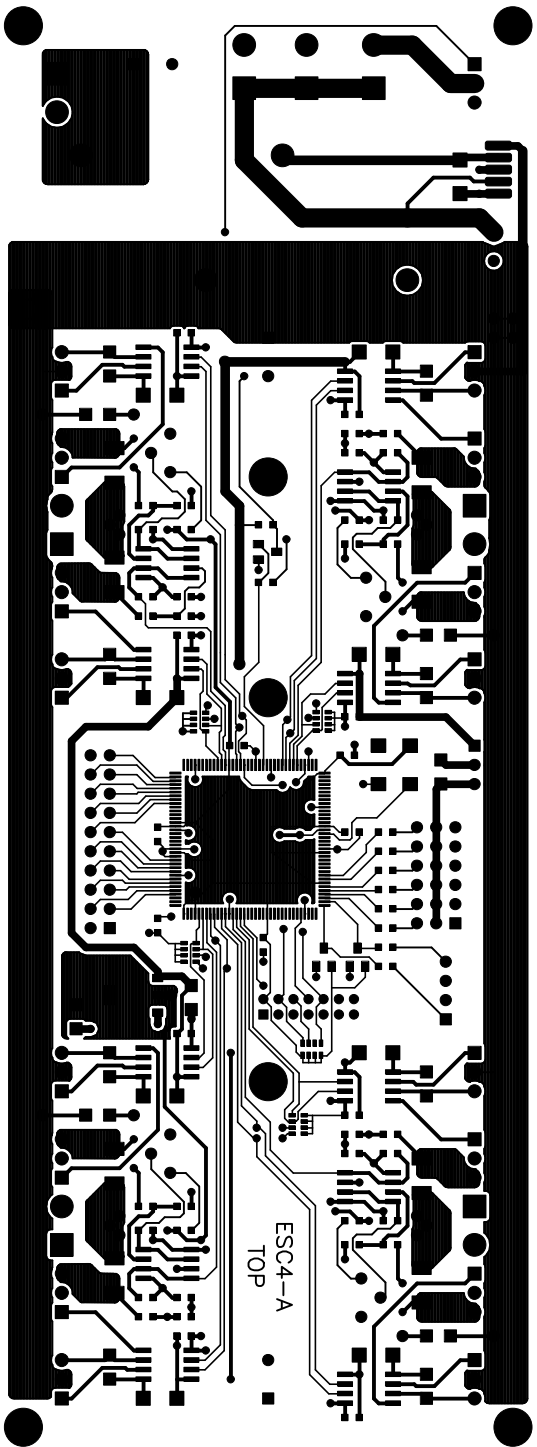


Title		Quad Motor Speed Controller	
Size	Number	ESC4	Rev
			A
Date	Sun May 03, 2009	Drawn by	David Forbes
Filename	ESC4A3.PCB	Sheet	of



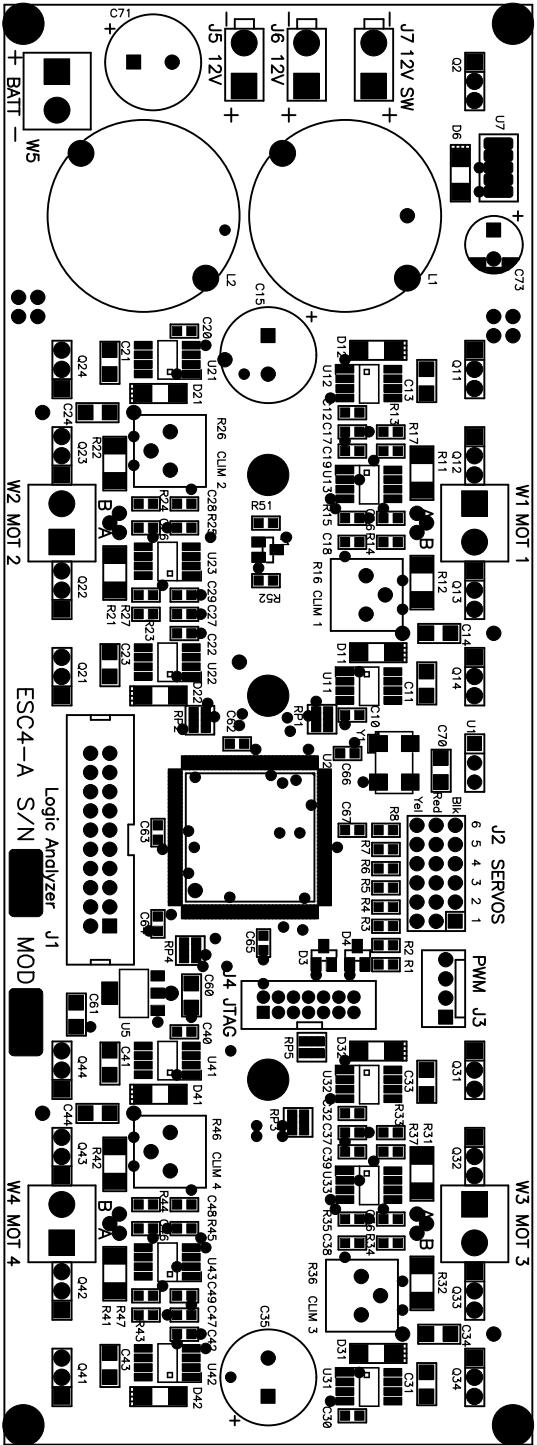
BOTTOM SIDE

Title		Quad Motor Speed Controller	
Size	Number	ESC4	Rev A
Date	Sun May 03, 2009	Drawn by	David Forbes
Filename	ESC4A3.PCB	Sheet	of



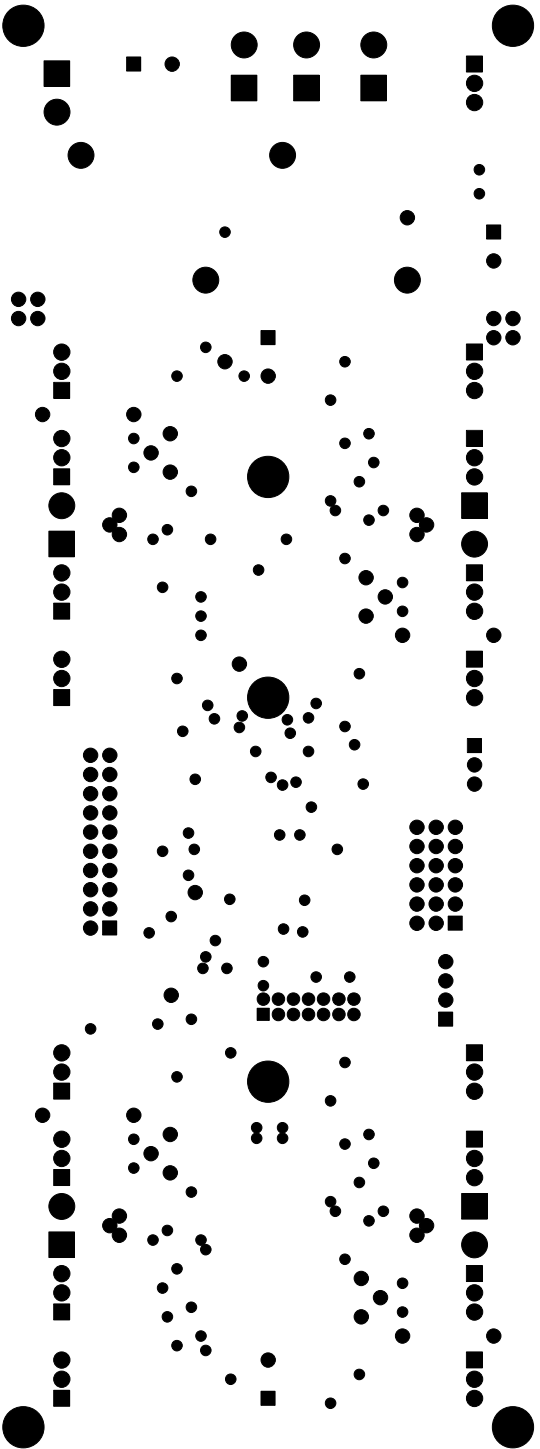
TOP SIDE

Title		Quad Motor Speed Controller	
Size	Number	ESC4	Rev
Date	Sun May 03, 2009		A
Filename	ESC4A3.PCB	Sheet	of



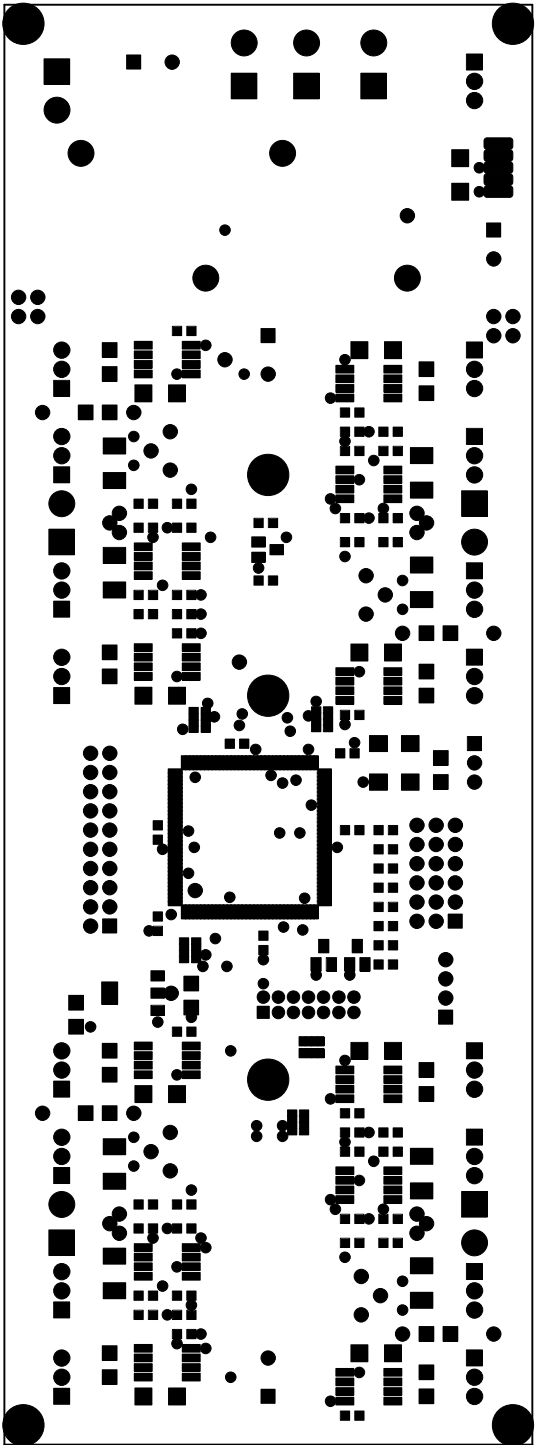
TOP MASK  
TOP SILK SCREEN

Title		Quad Motor Speed Controller	
Size	Number	ESC4	Rev
		A	A
Date	Sun May 03, 2009	Drawn by	David Forbes
Filename	ESC4A3.PCB	Sheet	of



BOTTOM MASK

Title		Quad Motor Speed Controller	
Size	Number	ESC4	Rev
Date	Sun May 03, 2009	Drawn by David Forbes	A
Filename	ESC4A3.PCB	Sheet	of



TOP MASK

Title		Quad Motor Speed Controller	
Size	Number	ESC4	Rev
Date	Sun May 03, 2009	Drawn by David Forbes	A
Filename	ESC4A3.PCB	Sheet	of